

BREAKER PLATE QUOTE WORKSHEET

Company Name: _____

Contact Name: _____

Street Address: _____

City: _____ **State:** _____ **Zip:** _____

Contact Phone: _____ **Contact Email:** _____

Extruder Make:

Extruder Model:

Note: Please provide reference print if available.

Material:

- 420 Stainless Steel
- C-276 Hastelloy
- Other (specify) _____

Choose Style:

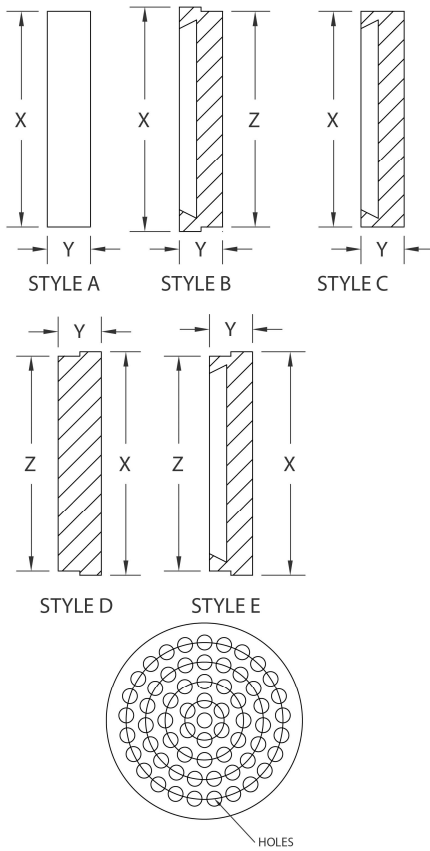
Refer to STANDARD BREAKER PLATE DRAWING

- | | |
|----------------------------|----------------------------|
| <input type="checkbox"/> A | <input type="checkbox"/> D |
| <input type="checkbox"/> B | <input type="checkbox"/> E |
| <input type="checkbox"/> C | |

Application:

What type of product will this breaker plate will be used to make?

- Pressure
- Jacketing/Sleeving
- Tube Extrusion
- Other (specify) _____



BREAKER PLATE DRAWING STYLE A, B, C, D OR E (SELECT ONE)

Total Number of Holes: _____

Hole Size: _____

Dimensions: (Please specify separately if more than one size required)

Refer to BREAKER PLATE DRAWING STYLE A, B, C, D OR E

Large OD (X): _____

Width (Y): _____

Small OD (Z): _____

Specify quantities requested and any special instructions: